

THIS DRAWING IS UNPUBLISHED. RELEASED FOR PUBLICATION. ALL RIGHTS RESERVED.

© COPYRIGHT - By -

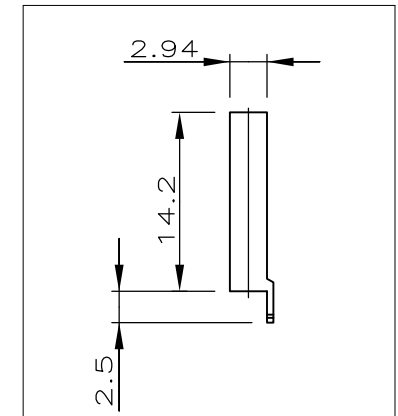
ÄNDERUNGEN DIE DEM TECHNISCHEN FORTSCHRITT DIENEN, BEHALTEN WIR UNS VOR

CAD-ORIGINAL
ZEICHNUNG NICHT ÄNDERN

ZEICHNUNG GESCHÜTZT DURCH ©COPYRIGHT 1975
AMP DEUTSCHLAND GMBH
ALLE RECHTE VORBEHALTEN

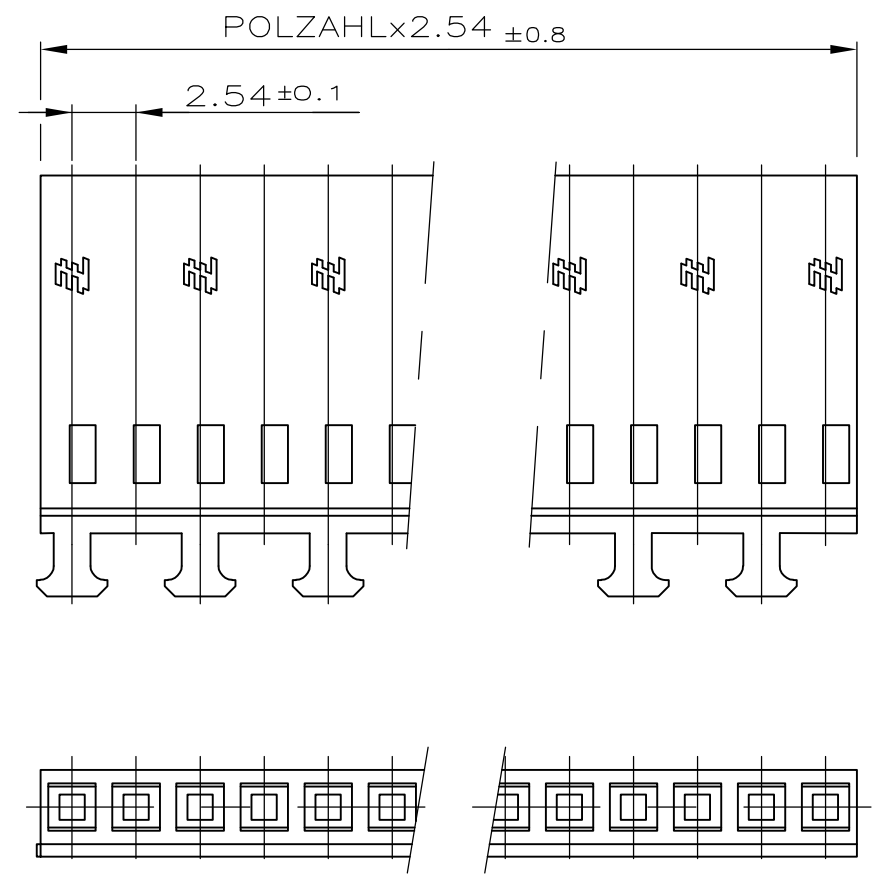
LOC	DIST	REVISIONS					
-	-	P	LTR	DESCRIPTION	DATE	DWN	APVD
			W1	Obsolescence of P/N 2-925369-0	26JULY2013	SMT	RP

GEGENSTECKER/KONTAKT:
MATED WITH: 825 433 167 301-4



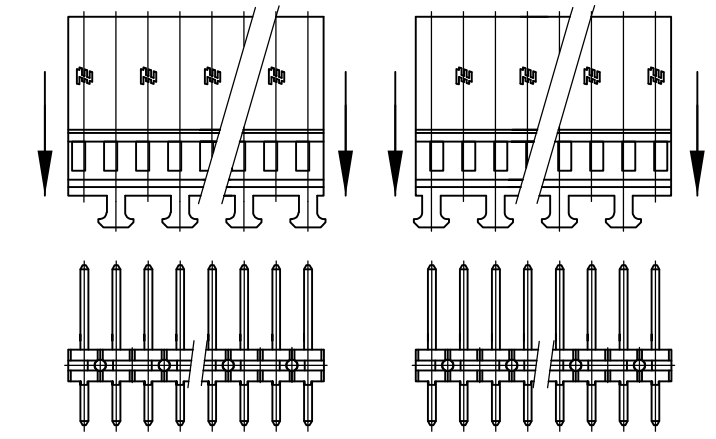
EINREIHIG

POLZ.	L±0.8	BESTELL-NR.	
-	-	-	-
2	5.08	925 369 -2	
3	7.62		-3
4	10.16		-4
5	12.70		-5
6	15.24		-6
7	17.78		-7
8	20.32		-8
9	22.86		-9
10	25.40	1-	-0
11	27.94	1-	-1
12	30.48	1-	-2
13	33.02	1-	-3
14	35.56	1-	-4
15	38.10	1-	-5
16	40.64	1-	-6
17	43.18	1-	-7
18	45.72	1-	-8
19	48.26	1-	-9
20	50.80	2-	-0
21	53.34	2-	-1
22	55.88	2-	-2
23	58.42	2-	-3
24	60.96	2-	-4
25	63.50	2-	-5
26	66.04	2-	-6
27	68.58	2-	-7
28	71.12	2-	-8
29	73.66	2-	-9
30	76.20	3-	-0
31	78.74	3-	-1
32	81.28	3-	-2
33	83.82	3-	-3
34	86.36	3-	-4
35	88.90	3-	-5
36	91.44	3-	-6
37	93.98	3-	-7
38	96.52	3-	-8
39	99.06	3-	-9
40	101.60	4-	-0
41	104.14	4-	-1
42	106.68	4-	-2
43	109.22	4-	-3
44	111.76	4-	-4
45	114.30	4-	-5
46	116.84	4-	-6
47	119.38	4-	-7
48	121.92	4-	-8
49	124.46	4-	-9
50	127.00	5- 925 369 -0	



OBSOLETE PARTS: OBSOLETE CIS STREAMLINING PER D.RENAUD/D.SINISI

RAST-NOPPENSTELLUNG WECHSELT PRODUKTIONSBEDINGT.
NOPPEN VERRASTEN ENTSPRECHEND LINKS ODER RECHTS MIT STIFTLAISTE.
POSITIONS OF LOCKING DEVICE CHANGED CONDITIONAL OF PRODUCTION.
KNUPS LOCK ACCORDING ON THE LEFT OR RIGHT SIDE WITH PIN HEADER.



GRÜN RAL6011	WAR
OBERFLÄCHE FARBE	75-9226

THIS DRAWING IS A CONTROLLED DOCUMENT.	
DIMENSIONS: mm	TOLERANCES UNLESS OTHERWISE SPECIFIED:
	0 PLC ± -
	1 PLC ± -
	2 PLC ± 0.2mm
	3 PLC ± -
	4 PLC ± -
	ANGLES ± -
MATERIAL PA 6.6	FINISH -

DWN DAHLHEIMER 05.12.75
CHK KREPP
APVD -
PRODUCT SPEC -
APPLICATION SPEC -
WEIGHT -
CUSTOMER DRAWING

ZEICHNUNG GÜLTIG AB KW 32/95

STE TE Connectivity

AMPMODU IV GEHÄUSE, EINREIHIG

SIZE A3	CAGE CODE 00779	DRAWING NO C-925369	RESTRICTED TO -
SCALE -	SHEET 1 OF 1	REV W1	